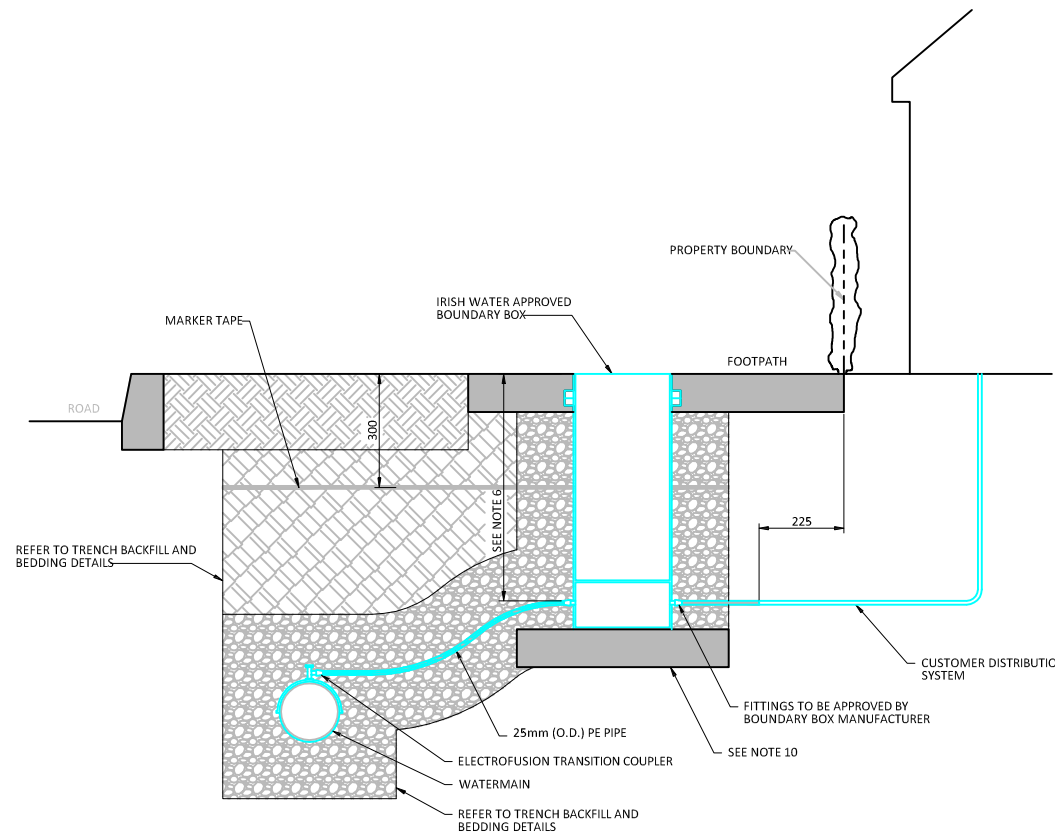


NOTE:
ALL DIMENSIONS TO BE CHECKED ON SITE.
NO DIMENSIONS TO BE SCALED FROM THIS DRAWING.
THIS DRAWING IS TO BE READ IN CONJUNCTION WITH
RELEVANT CONSULTANTS DRAWINGS.

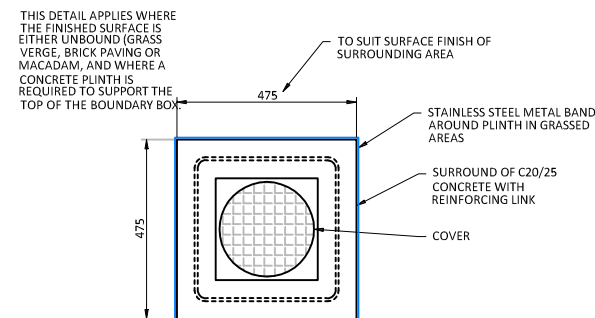
NO PART OF THIS DOCUMENT MAY BE REPRODUCED
OR TRANSMITTED IN ANY FORM OR STORED IN ANY
RETRIEVAL SYSTEM OF ANY NATURE WITHOUT THE
WRITTEN PERMISSION OF THE CONSULTING
ENGINEER AS COPYRIGHT HOLDER EXCEPT AS
AGREED FOR USE ON THE PROJECT FOR WHICH THE
DOCUMENT WAS ORIGINALLY ISSUED.

- GENERAL NOTES
1. ALL DIMENSIONS ARE IN MILLIMETERS (mm) UNLESS NOTED OTHERWISE.
 2. FOR CONNECTION TO AN EXISTING MAIN THE CONNECTION SHALL BE AS PER THE PIPE MANUFACTURER'S SPECIFICATION AND SUBJECT TO CONNECTION APPLICATION APPROVAL.
 3. ELECTRO FUSION COUPLING TO BE INSTALLED IN ACCORDANCE WITH MANUFACTURER'S INSTRUCTIONS.
 4. ALL CONCRETE TO BE IN ACCORDANCE WITH IS EN 206.

- BOUNDARY BOX NOTES:
1. THE BOUNDARY BOX IS TO BE IN ACCORDANCE WITH THE IRISH WATER SPECIFICATION, INCORPORATING A G1.5 MANIFOLD, STOP-TAP, FROST PLUG & NON-RETURN VALVE.
 2. THE BOUNDARY BOX SHALL BE POSITIONED IN PUBLIC SPACE & AS CLOSE AS POSSIBLE TO THE PROPERTY BOUNDARY BUT NO PART OR FITTING TO BE WITHIN 225mm OF THE PROPERTY LINE.
 3. THE BOUNDARY BOX SHALL BE LOCATED WHERE IT IS SAFE TO OPEN THE COVER & ACCESS THE STOP TAP OR VISUALLY READ THE METER, i.e. ON A FOOTPATH OR VERGE, & NOT IN A CARRIAGEWAY.
 4. THE SURFACE BOX COVER ON THE BOUNDARY BOX SHOULD BE NOT LESS THAN GRADE C (BS 5834:2-2011); & THE BOUNDARY BOX SHOULD BE LOCATED SUCH THAT HEAVIER GRADES OF COVER WOULD NOT BE REQUIRED.
 5. THE SHAFT OF THE BOUNDARY BOX IS TO BE INSTALLED VERTICALLY, & THE SURFACE BOX/COVER INCLINED TO MATCH THE SURFACE GRADIENT.
 6. THE BOUNDARY BOX IS TO BE INSTALLED AT A MINIMUM DEPTH OF 600mm (+/- 25mm) TO THE CROWN OF THE INLET & OUTLET FITTINGS ON THE OUTSIDE OF THE BOX.
 7. THE SERVICE CONNECTION PIPE SHALL NOT BE WRAPPED AROUND THE SHAFT OF THE BOUNDARY BOX OR BENT IN ANY RADIUS LESS THAN THAT APPROVED BY THE MANUFACTURER.
 8. THE PIPE FITTINGS TO THE BOUNDARY BOX SHALL BE APPROVED BY THE BOUNDARY BOX MANUFACTURER.
 9. THE BOUNDARY BOX SHALL BE INSTALLED HYGIENICALLY & LEFT CLEAN & FREE OF CONSTRUCTION WASTE OR DIRT FOR LATER METER INSTALLATION BY IRISH WATER.
 10. BOX TO BE FOUNDED ON 100mm DEPTH OF C12/15 CONCRETE AND SURROUNDED WITH CLAUSE 808 GRANULAR MATERIAL.
 11. THE DESIRABLE MINIMUM DEPTH OF COVER FROM THE FINISHED GROUND LEVEL TO THE EXTERNAL CROWN OF A SERVICE CONNECTION SHALL BE 750mm WITH AN ABSOLUTE MINIMUM DEPTH OF 600mm FOR SHORT DISTANCES (SUBJECT TO IRISH WATER AGREEMENT).

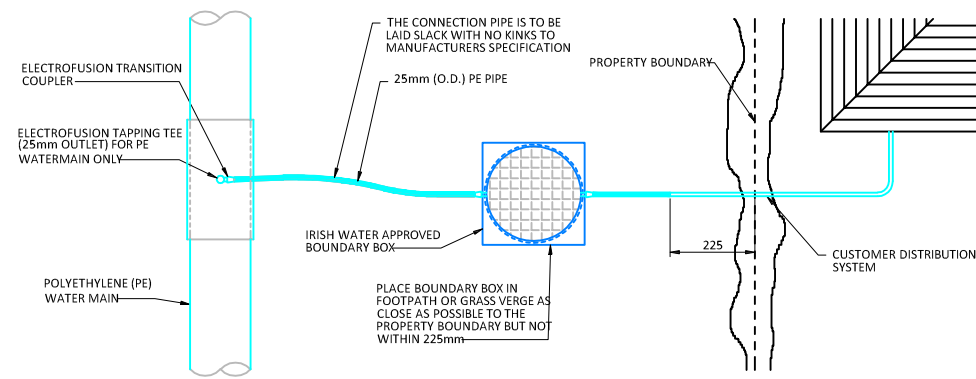


SECTION THROUGH CUSTOMER CONNECTION AND BOUNDARY BOX
SCALE 1:20 @ A3



PLINTH ABOVE BOUNDARY BOX IN GRASSED AREAS
SCALE 1:20 @ A3

NOTES:
SERVICE CONNECTION PIPES SUITABLE FOR WORKS AND APPROVED BY IRISH WATER SHALL BE OF HDPE MATERIAL WITH TYPE PE100 AND AN SDR 17 RATING OR MDPE MATERIAL WITH PE80 AND AN SDR11 RATING. THE HDPE AND MDPE SERVICE PIPES SHALL COMPLY WITH IS EN 12201 PART 2 (PLASTIC SYSTEMS FOR WATER SUPPLY, DRAINAGE AND SEWERAGE UNDER PRESSURE - PART 2, PIPES) AND IS EN 12201 PART 3 (PLASTIC SYSTEMS FOR WATER SUPPLY, DRAINAGE AND SEWERAGE UNDER PRESSURE - PART 3: FITTINGS) AND WITH UK WIS 4-32-08 (SPECIFICATION FOR THE FUSION JOINTING OF POLYETHYLENE PRESSURE PIPELINE SYSTEMS USING PE80 AND PE100 MATERIALS).



CONNECTION TO POLYETHYLENE WATER MAIN

PLAN OF CUSTOMER CONNECTION AND BOUNDARY BOX
SCALE 1:20 @ A3

REV.	DESCRIPTION	BY	APPR.	DATE
------	-------------	----	-------	------

NJOG N.J.O'GORMAN & ASSOCIATES LTD.
ENGINEERING AND DEVELOPMENT MANAGEMENT CONSULTANTS
DUBLIN HARCOURT CENTRE, BLOCK 4,
HARCOURT ROAD, DUBLIN 2.
T +353 1 475 5244 contactus@njog.ie www.njog.ie

CLIENT
Lagan Homes Drogheda Ltd.

PROJECT
Development at Newfoundwell Road,
Drogheda, Co. Louth.

JOB NUMBER:	18/032
DATE:	September 2019
SCALE:	AS SHOWN
DRAWN:	SK
CHECKED:	JOD
STATUS:	

DRAWING
Site Services
Watermain Details Sheet 1

CAD FILE:		REVISION
CAD REF:		
DRAWING NO.:		

PLANNING

DL-330

COPYRIGHT©